

Drop-In Refrigerated Well with Open Display 3GN 1/1

ITEM # _____

MODEL # _____

NAME # _____

SIS # _____

AIA # _____


340271 (DI3ROD)

 Drop-in refrigerated well
with open display - 3GN

Short Form Specification

Item No. _____

Refrigerated ventilated well in 304 AISI stainless steel. Fully insulated well. The condensation is drained into a drain hole diam. 21mm and the water is conveyed to a fixed drain. Built-in refrigeration unit; ventilated operating mode; R134A gas in refrigeration circuit. Temperature range +2/+8 °C. Waterproof well adjustable in 5 positions. Suitable for GN 1/1 containers h=150mm. Easily dismantled without tools. 45° edges for easier cleaning. Control panel with digital telethermostat, on-off switch and lighting switch. Fans have IP55 protection, are fully sealed and can be cleaned with a hose.

Refrigerated display with sides in tempered glass 10mm thick. 2 double-glazed doors on operator side 6+4mm thick with 6mm air cushion in between for insulation. 2 tempered glass shelves, can be inclined and are adjustable in height. Curved opaque tempered glass top 4mm thick. Perfect cold air flow grants +2/+8 °C temperature. Equipped with 1,5mt cord to facilitate installation. Fastom connection between control panel and cord for easier installation.

Main Features

- Digital control panel with:-Digital thermostat- On-off switch-Adjustable temperature setting- Temperature display-Manual defrost switch- Light switch
- Waterproof well with adjustable bottom that can be set to 5 positions for each GN 1/1 section, independently one from the other.
- Well is fully insulated with 25 mm neoprene.
- Cut-out dimensions for the installation of the unit is 1180x 680 x minimum 850 H mm.
- Air outlet grid can be positioned on three different sides (customer, operator or machine side), to allow maximum installation flexibility.
- Display with aluminum gantry, completely open on customer's side to provide easy access.
- Display side walls formed by 10 mm thick tempered glass with 2 double-glazed sliding doors (6+4 mm-thick with 6 mm air-cushion in between) to prevent external condensation.
- 8 mm thick tempered glass shelves are tiltable, adjustable and removable.
- 4 mm top curved tempered glass.
- Lighting provided by 3 neon lamps, one horizontal above the shelves and the other two placed on each side of the display, running vertically.
- Bottom panels and ventilation front grids can be easily removed.
- Bottom part of well is removable for an easier access to the evaporator.
- Built-in refrigeration unit with ventilated operating mode.
- Temperature range of +2/+8 °C (at 25 °C ambient temperature) with 50% humidity level.
- Automatic defrost.
- Internal fans are IP55 protected.
- Complies with main international certification bodies and is CE marked.
- Suitable for GN 1/1 containers with a maximum height of 150 mm.
- Ensures that food maintains an average core temperature that does not exceed +8 °C for 1 hour.
- Inlet ventilation grids are on operator side.

APPROVAL: _____

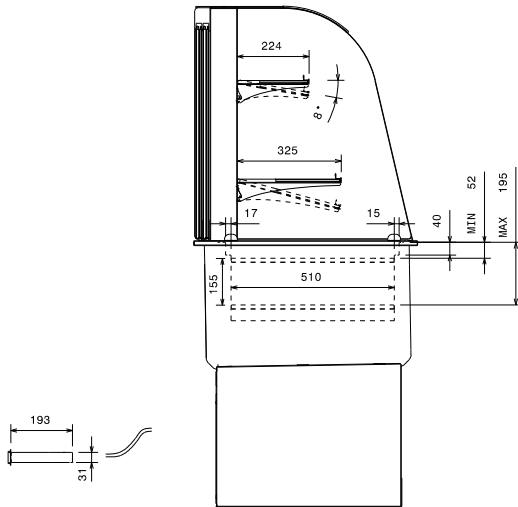
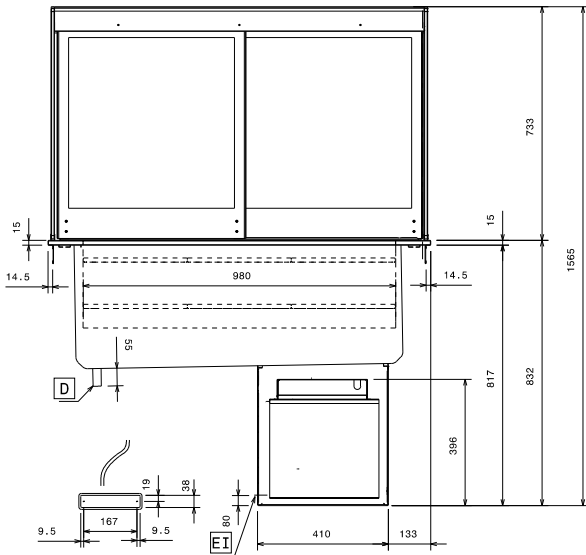


Electrolux
PROFESSIONAL

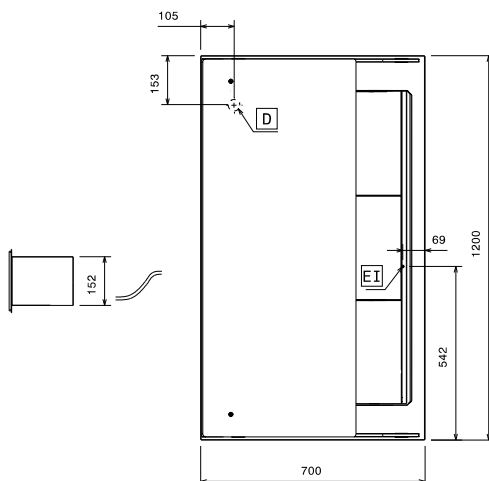
**Drop-In
Refrigerated Well with Open
Display 3GN 1/1**

Construction

- Manufactured in 304 AISI stainless steel.
- Easy to install thanks to the fastom connection (1.5 m long) between the cable and the digital thermostat.
- Developed and produced in ISO 9001 and ISO 14001 certified factory.
- Refrigerant type: R134a.

Front

Side


D = Drain
 EI = Electrical inlet (power)

Top


Electric

Supply voltage:

340271 (DI3ROD) 230 V/1 ph/50 Hz

Electrical power max.:

1.2 kW

Water:

Water drain outlet size:

1/2"

Key Information:

External dimensions, Width: 1200 mm

External dimensions, Depth: 700 mm

External dimensions, Height: 1565 mm

Net weight: 162 kg

Set temperature: 2/8 °C

Well number: 1

Well width: 980 mm

Well depth: 510 mm

Well height: 195 mm

18x Ø150 mm; 8x Ø200 mm

Well capacity - plates:

Well capacity - Ø 65 mm cans:

135

21x Ø150 mm; 10x Ø200

mm

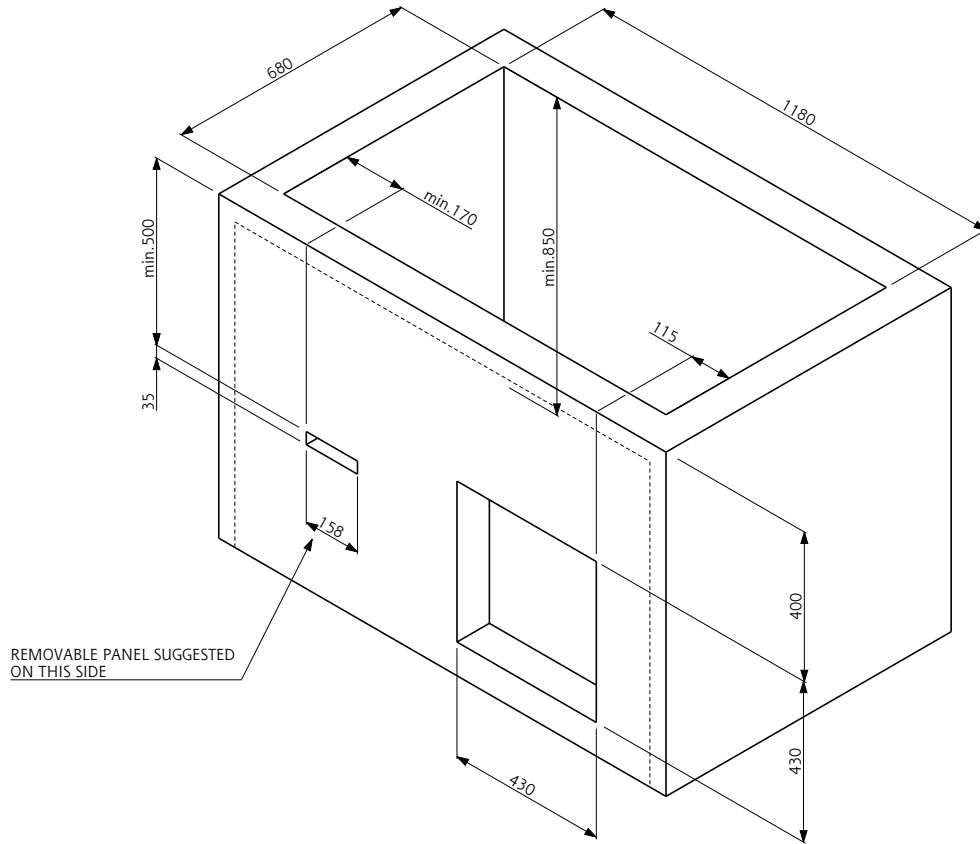
Display capacity - plates:

Display capacity - 130x90 mm plates:

48

Display capacity - Ø 65 mm cans:

144



Doc. Nr. IDS-340271